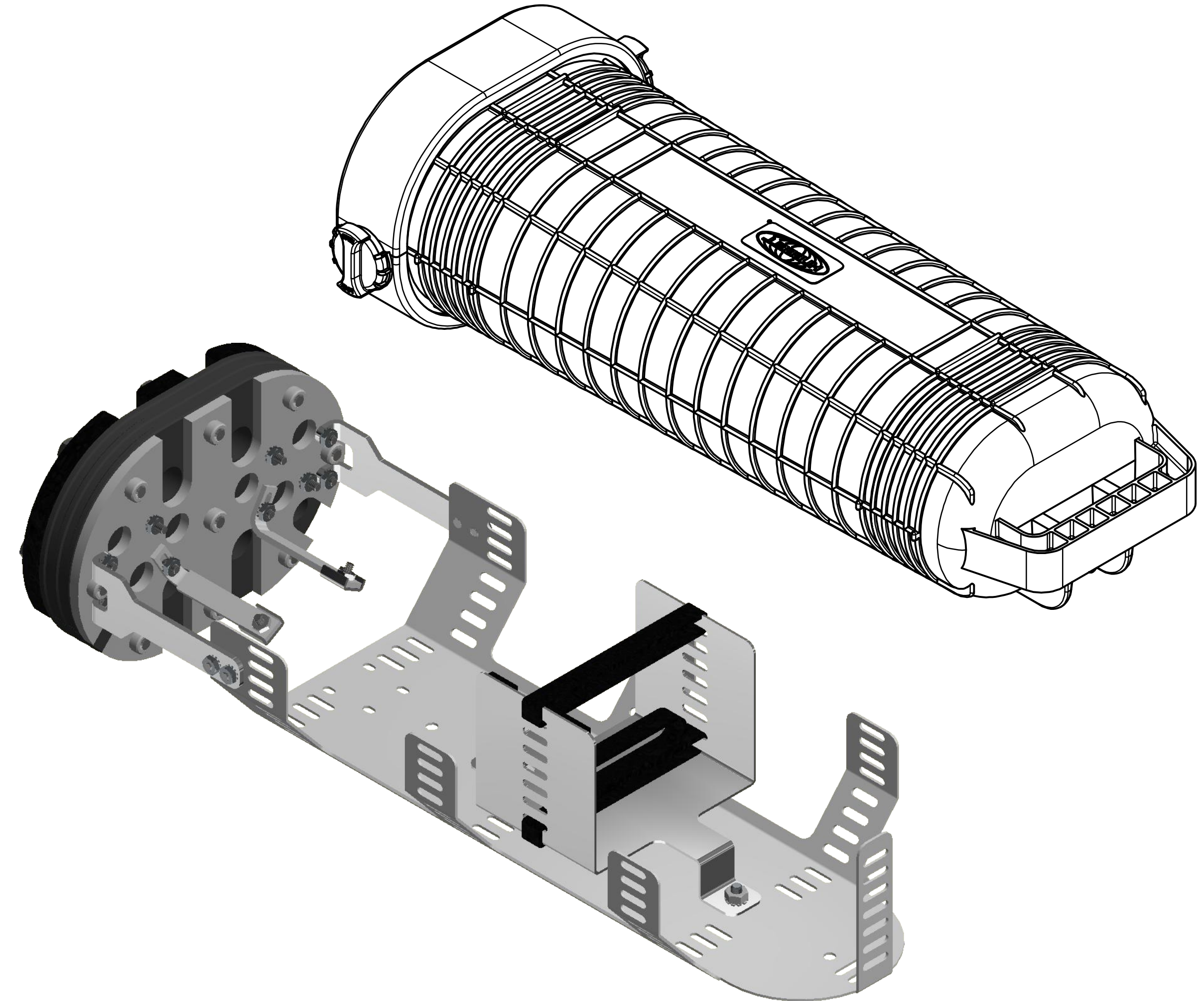
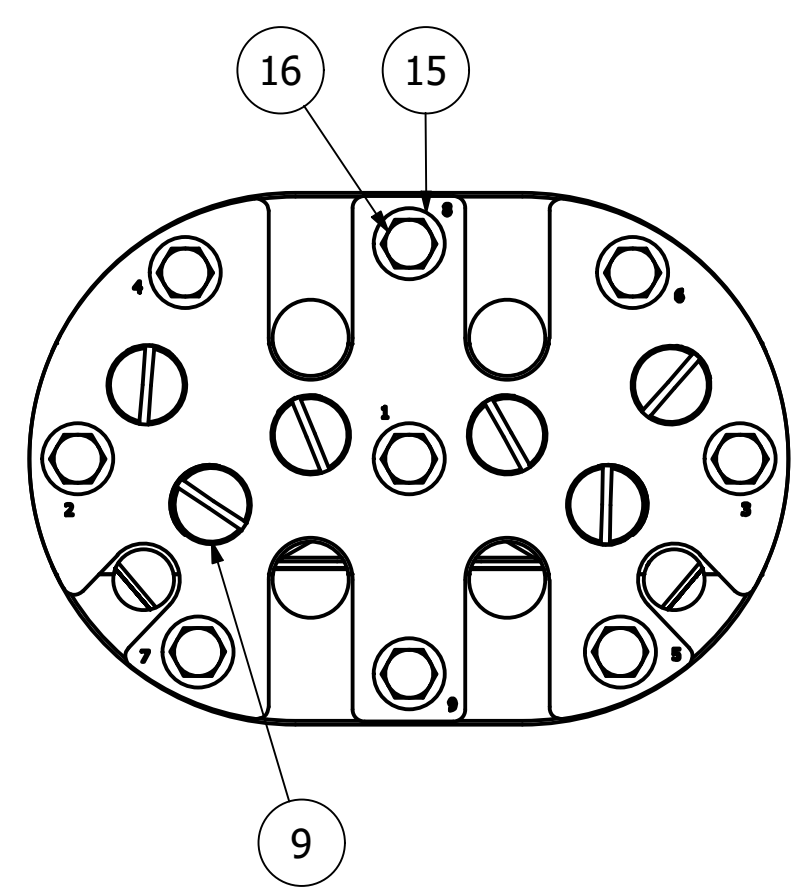
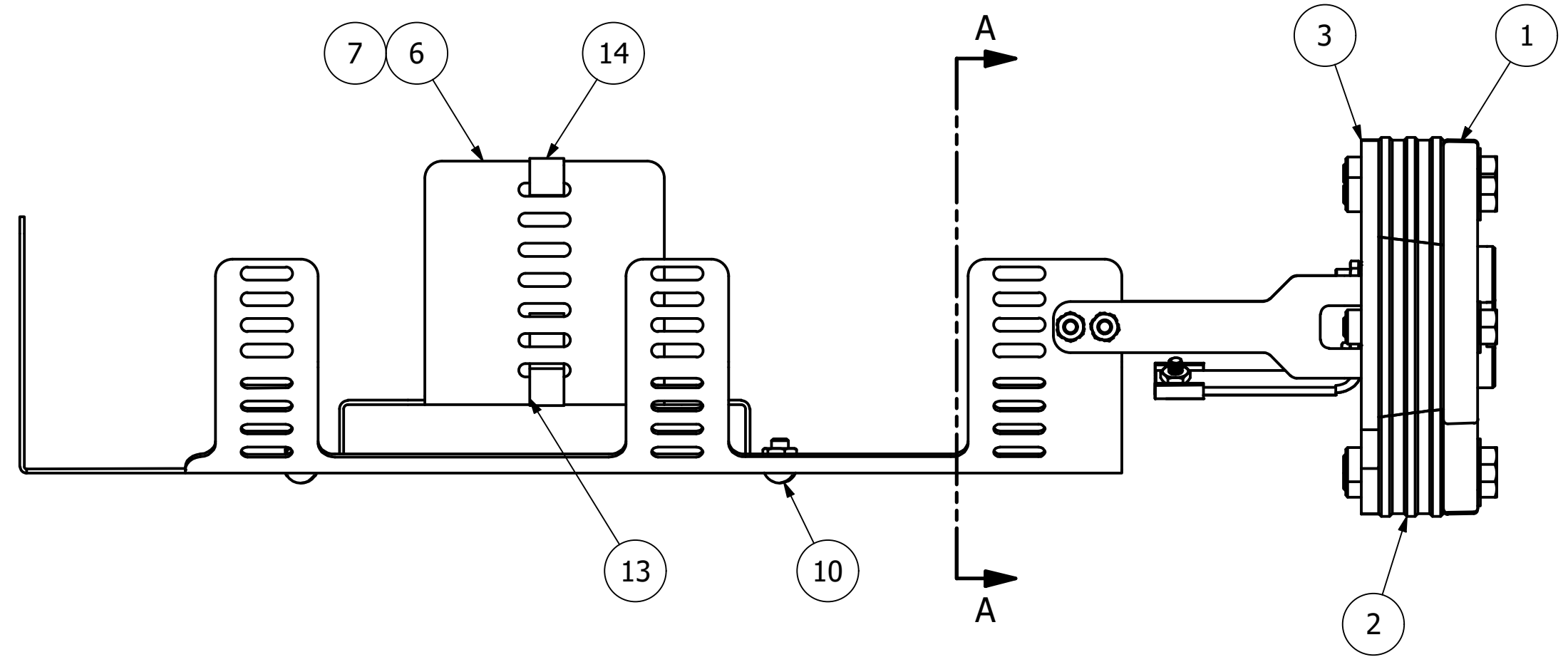
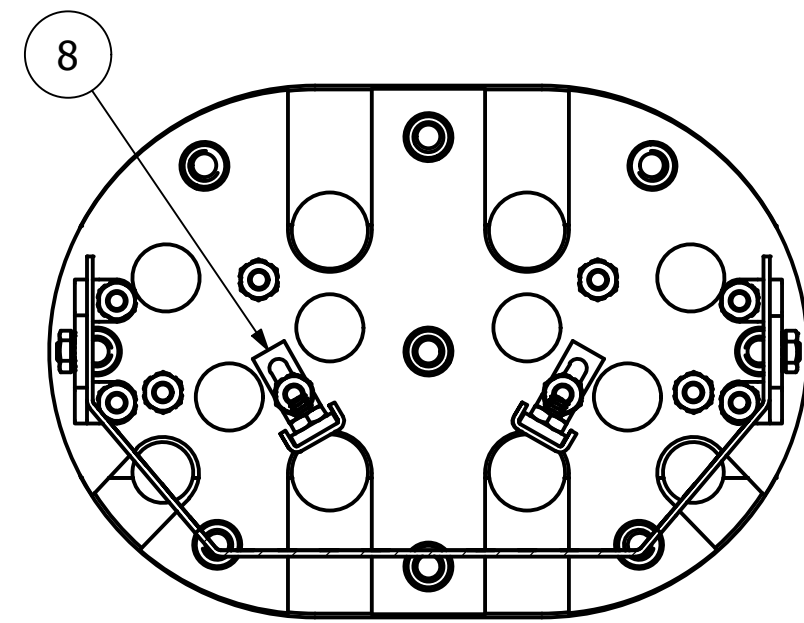
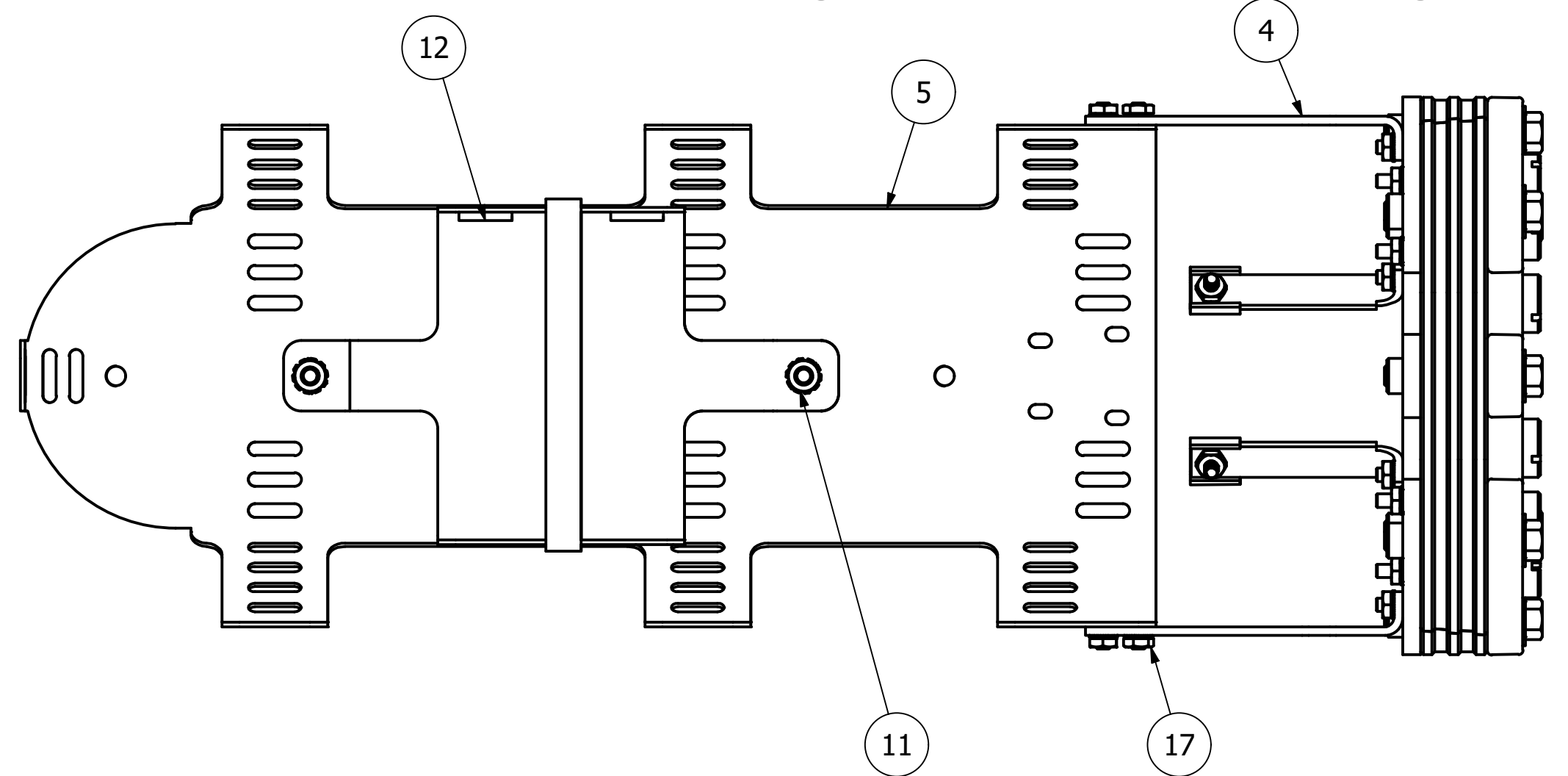
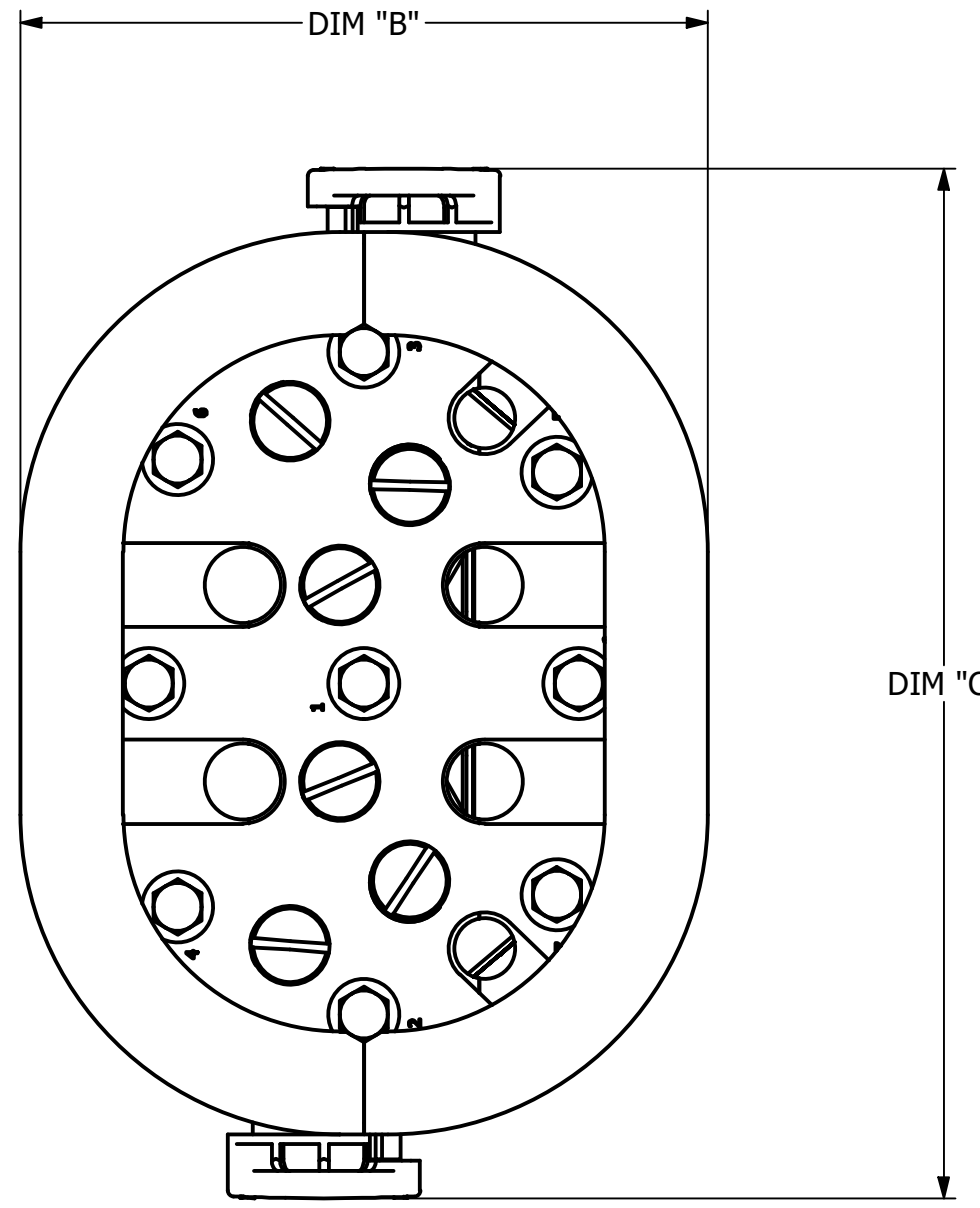
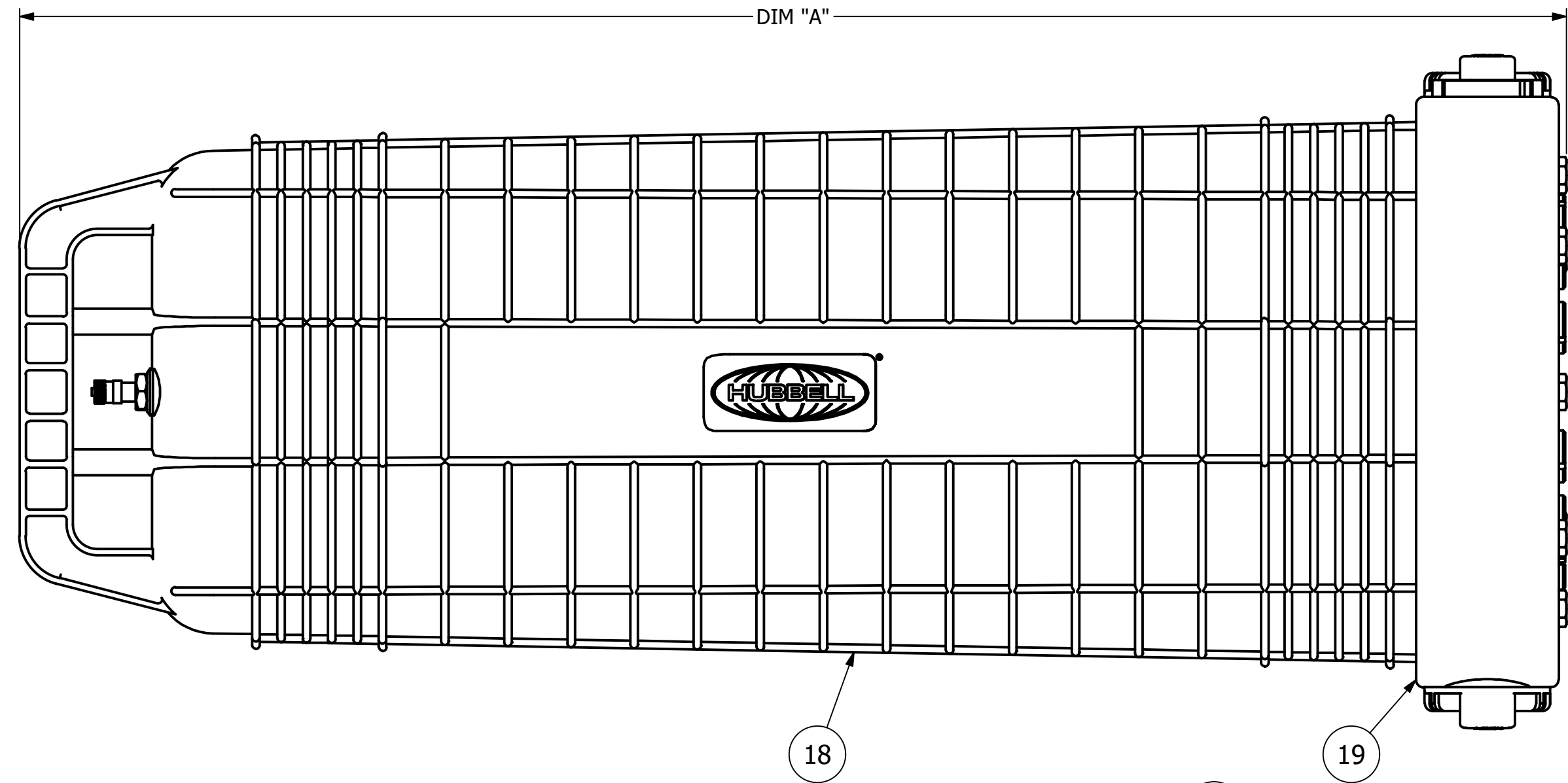


CATALOG NO.	DESCRIPTION	DIM "A" IN. [MM]	DIM "B" IN. [MM]	DIM "C" IN. [MM]	WEIGHT LBS. [KG]	STANDARD PACK	GOODIE BAG
PSCA570SG	DOME CLOSURE 570 AD STH ROUND GROMMETS	24.625 [625.48]	7.160 [181.86]	10.726 [272.44]	16.800 [7.62]	1	1
PSCA570WG	DOME CLOSURE 570 AD GROMMETS WTH						

CABLE TYPE	CABLE PORT CAPACITY (DIA.)			
	BACKBONE		LATERAL	
	MIN.	MAX.	MIN.	MAX.
ARMORED	.250"	.750"	.250"	.625"

ITEM	DESCRIPTION	PSCA570SG	PSCA570WG
1	570 OUTSIDE PLATE, INJECTION MOLDED	1	1
2	ELASTOMER, G SERIES 570	1	1
3	PLATE, INSIDE 570 ALUMINUM	1	1
4	STORAGE PLATFORM SIDE MOUNT	2	2
5	PLATFORM ASSEMBLY, 570	1	1
6	570 TRAY HOLDER	1	-
7	570 WIDE TRAY HOLDER	-	1
8	720 STAND OFF	2	2
9	PLUG, 1/2-NPT THREADED	6	6
10	SCR 1/4-20x.50 SDRHMS STL ZN	2	2
11	NUT 1/4-20 K-LCK STL ZN	2	2
12	3.5 IN NEOPRENE TAPE	2	2
13	24 IN OF PS94905K33 FOR STANDARD TRAY HOLDER	1	1
14	12 IN OF PS94905K33 FOR STANDARD TRAY HOLDER	1	1
15	5/16 FLAT WASHER, 316 STAINLESS STEEL	9	9
16	5/16-18 x 2 HEX CAP SCREW, 316 STAINLESS STEEL	9	9
17	K-LOCK NUT, #10-24, ZINC PLATED	14	14
18	570 DOME HOUSING ASSEMBLY	1	1
19	570 COLLAR ASSEMBLY	2	2
20	570 GOODIE BAG (NOT SHOWN)	1	1
21	570 "G" SERIES GROMMET BAG (NOT SHOWN)	2	2
22	570 AD "G" SERIES INSTRUCTION MANUAL (NOT SHOWN)	1	1

GOODIE BAG		
ITEM	DESCRIPTION	QTY
1	24" SPIRAL WRAP	1
2	RTV SILICONE ADHESIVE & SEALANT, ORIGINAL PACKAGE	1
3	ROLL OF 7 PCS OF VELCRO QWIKTIE	2



NOTES:

- ALL DIMENSIONS FOR REFERENCE ONLY. DISTANCE IN. [MM], FORCE LBS. [kN], TORQUE IN. LBS. [N.m], & WEIGHT LBS. [KG]
- RATINGS:
A. NA
- CERTIFICATIONS, SPECIFICATIONS, & STANDARDS:
A. NA
- SUFFIXES & VARIANT CONFIGURATION:
A. NA

EC #	DATE	CHANGED BY	CHECKED BY	APPROVED BY	WEIGHT, LBS
210226005447	02/26/21	MK	AA	SD	SEE TABLE
DESCRIPTION: INITIAL RELEASE					SEE TABLE
ADDITIONAL COMMENTS: -					

THIRD ANGLE PROJECTION

CONFIDENTIAL:
THIS DRAWING AND ITS CONTENTS ARE CONFIDENTIAL AND THE EXCLUSIVE PROPERTY OF HUBBELL POWER SYSTEMS. NO PUBLICATION, DISTRIBUTION OR COPIES MAY BE MADE WITHOUT THE WRITTEN CONSENT OF HUBBELL POWER SYSTEMS. HUBBELL POWER SYSTEMS UNPUBLISHED ALL RIGHTS RESERVED UNDER THE COPYRIGHT LAWS

HUBBELL POWER SYSTEMS, Inc.

TITLE: **570 AD CLOSURE G SERIES**

CATALOG NUMBER: **SEE TABLE**

SIZE: **D** DWG NO.: **CC-27212** PART / ASSY NO.: **SEE TABLE** REV: **00**

SCALE: **3 : 8** DRN BY: **MK** DATE: **01/27/21** SHEET 1 OF 1